

LED High Bay Luminaire ULHB100B

USHIO

Features

- Mounting Type : Suspend-mount ring / Mounted Bar / Mounted Hook
- Material (Body) : Cold forge Pure Alum, with sand-blasting & oxidation surface treatment
- Lamp : Nichia SMT LED
- Color Rendering : Ra 80
- Voltage : 100V - 305V AC
- Dimmable : Yes (optional)

LED Type SMT	Equivalent 400W
Lifespan 50,000 Hours	IP rating IP65
LED Driver Built-in	PF 0.95
Oper. Temp -20C°~50C°	Lt Weight 4.5kg

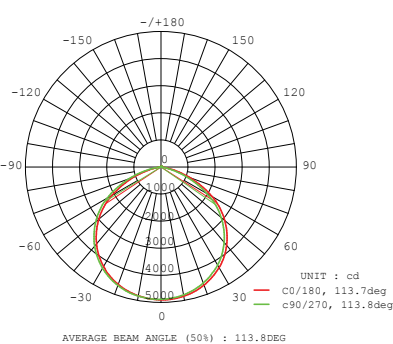
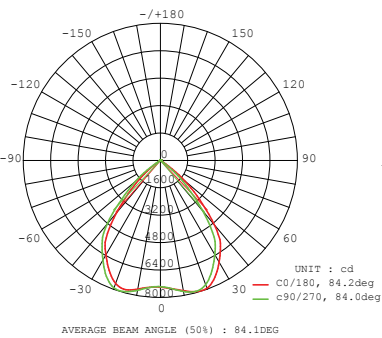
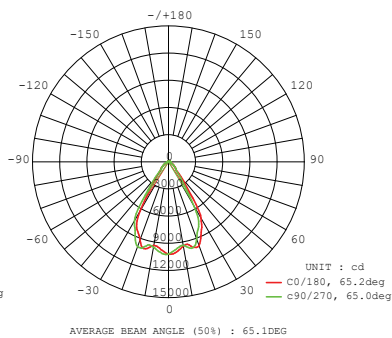
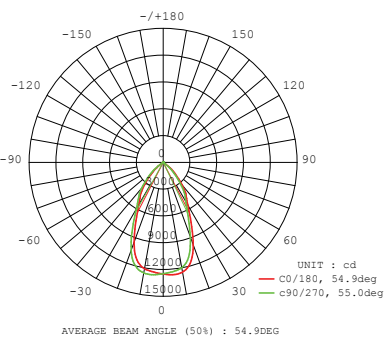
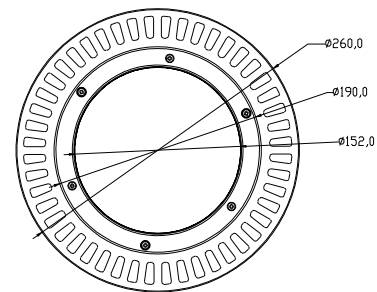
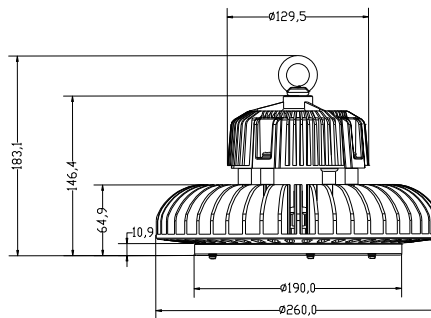
System Power : 100W

60° alum reflector	ULHB100B/27/12K/60	2600 - 2800K	12500 lm
	ULHB100B/42/13K/60	4000 - 4500K	13500 lm
	ULHB100B/56/13K/60	5500 - 5800K	13500 lm

90° alum reflector	ULHB100B/27/12K/90	2600 - 2800K	12500 lm
	ULHB100B/42/13K/90	4000 - 4500K	13500 lm
	ULHB100B/56/13K/90	5500 - 5800K	13500 lm

70° PC reflector	ULHB100B/27/12K/70	2600 - 2800K	12500 lm
	ULHB100B/42/13K/70	4000 - 4500K	13500 lm
	ULHB100B/56/13K/70	5500 - 5800K	13500 lm

120° w/o reflector	ULHB100B/27/12K/C0	2600 - 2800K	12500 lm
	ULHB100B/42/13K/C0	4000 - 4500K	13500 lm
	ULHB100B/56/13K/C0	5500 - 5800K	13500 lm



USHIO

■ USHIO ASIA PACIFIC PTE LTD
 28 Genting Lane #05-05 Platinum 28, Singapore 349585
 TEL +65 6274-5311 FAX +65 6274-5300
 URL www.ushioasiapacific.com

■ USHIO ASIA PACIFIC (Thailand) LTD
 Le Concorde Tower, Room 2006 (20F) 202 Rachadapisek Road, Huaykwang,
 Bangkok 10310 Thailand
 TEL +66 2 694-1440 FAX +66 2 694-1770
 URL www.ushioasiapacific.com