

# LED Panel High Bay Luminaire

## ULPH100-60

**USHIO**

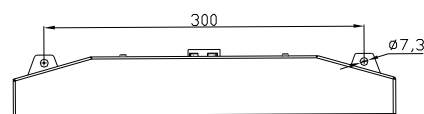
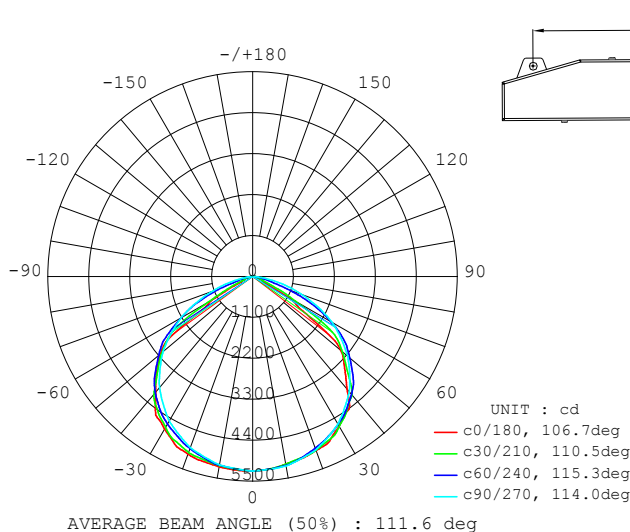
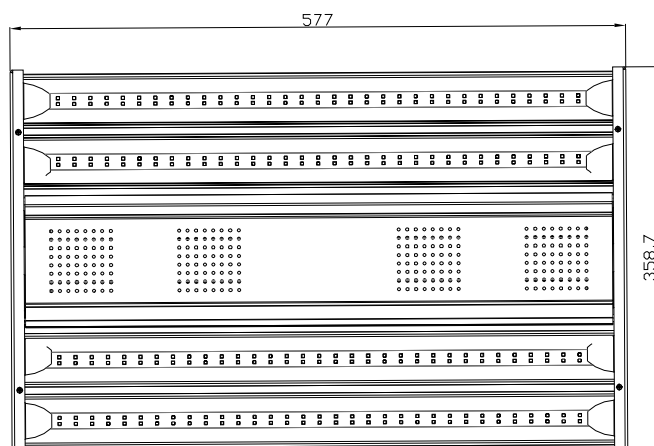
### Features

- Mounting Type : Suspend Mounted
- Material (Body) : Aluminium Heatsink, PC Cover
- Lamp : Philips Lumileds SMT LED
- Color Rendering : Ra 80
- Voltage : 120V - 277V AC
- Dimmable : Yes - DALI (optional)

LED Type <b>SMT</b>	Equivalent <b>250W</b>
Lifespan <b>40,000 Hours</b>	IP rating <b>IP20</b>
LED Driver <b>Built-in</b>	PF <b>0.95</b>
Oper. Temp <b>-20C° ~ 50C°</b>	

System Power : 100W

▲ 120°	ULPH100-60/40/13K/C0	4000K	13000 lm
	ULPH100-60/50/13K/C0	5000K	13000 lm
	ULPH100-60/57/13K/C0	5700K	13000 lm



**USHIO**

USHIO Inc (HQ Tokyo) - Marunouchi Kitaguchi Bldg, 1-6-5 Marunouchi Chiyoda-ku, Tokyo 100-8150 Japan (URL [www.ushio.co.jp](http://www.ushio.co.jp))

■ USHIO ASIA PACIFIC PTE LTD  
28 Genting Lane #05-05 Platinum 28, Singapore 349585  
TEL +65 6274-5311 FAX +65 6274-5300  
URL [www.ushioasiapacific.com](http://www.ushioasiapacific.com)

■ USHIO ASIA PACIFIC (Thailand) LTD  
Le Concorde Tower, Room 2006 (20F) 202 Rachadapisek Road, Huaykwang,  
Bangkok 10310 Thailand  
TEL +66 2 694-1440 FAX +66 2 694-1770  
URL [www.ushioasiapacific.com](http://www.ushioasiapacific.com)