

# LED High Bay Luminaire

## ULHB150B

**USHIO**

### Features

- Mounting Type : Suspend-mount ring / Mounted Bar / Mounted Hook
- Material (Body) : Cold forge Pure Alum, with sand-blasting & oxidation surface treatment
- Lamp : Nichia SMT LED
- Color Rendering : Ra 80
- Voltage : 100V - 305V AC
- Dimmable : Yes (optional)

LED Type <b>SMT</b>	Equivalent <b>400W</b>
Lifespan <b>50,000 Hours</b>	IP rating <b>IP65</b>
LED Driver <b>Built-in</b>	PF <b>0.95</b>
Oper. Temp <b>-20C°~50C°</b>	Lt Weight <b>4.5kg</b>

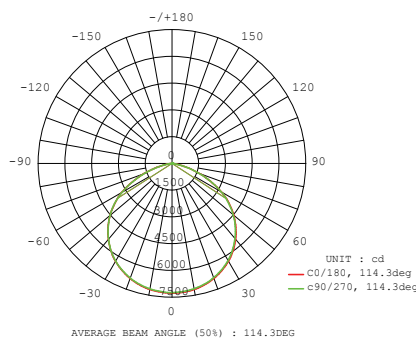
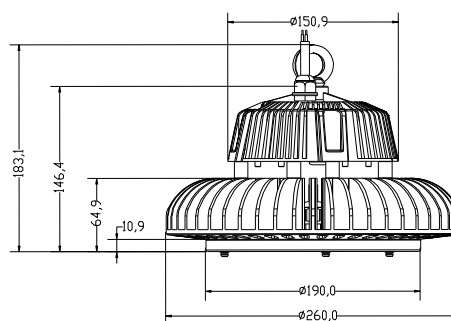
System Power : 150W

60° alum reflector	ULHB150B/27/19K/60	2600 - 2800K	19250 lm
	ULHB150B/42/20K/60	4000 - 4500K	20250 lm
	ULHB150B/56/20K/60	5500 - 5800K	20250 lm

90° alum reflector	ULHB150B/27/19K/90	2600 - 2800K	19250 lm
	ULHB150B/42/29K/90	4000 - 4500K	20250 lm
	ULHB150B/56/20K/90	5500 - 5800K	20250 lm

70° PC reflector	ULHB150B/27/19K/70	2600 - 2800K	19250 lm
	ULHB150B/42/20K/70	4000 - 4500K	20250 lm
	ULHB150B/56/20K/70	5500 - 5800K	20250 lm

120° w/o reflector	ULHB150B/27/19K/C0	2600 - 2800K	19250 lm
	ULHB150B/42/20K/C0	4000 - 4500K	20250 lm
	ULHB150B/56/20K/C0	5500 - 5800K	20250 lm



**USHIO**

■ USHIO ASIA PACIFIC PTE LTD  
 28 Genting Lane #05-05 Platinum 28, Singapore 349585  
 TEL +65 6274-5311 FAX +65 6274-5300  
 URL www.ushioasiapacific.com

■ USHIO ASIA PACIFIC (Thailand) LTD  
 Le Concorde Tower, Room 2006 (20F) 202 Rachadapisek Road, Huaykwang,  
 Bangkok 10310 Thailand  
 TEL +66 2 694-1440 FAX +66 2 694-1770  
 URL www.ushioasiapacific.com