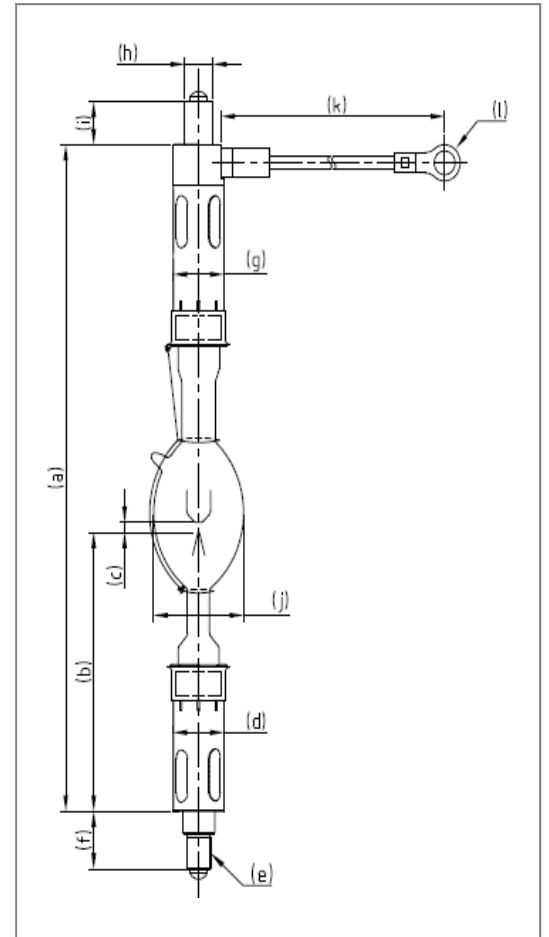


Xenon Lamps for BARCO Digital Cinema Projector

DXL-30BAF/L

Technical Data

Input Power	W	-	2800
Voltage	V	-	30
Current	A	-	93
Operating Range	W/A	-	1960-2800(W)
Lamp Length	mm	a	294
LCL	mm	b	123
Cold Arc Gap	mm	c	5
Cathode	Base Diameter	mm (Φ)	d
	Pin Diameter	mm (Φ)	e
	Pin Length	mm	f
Anode	Base Diameter	mm (Φ)	g
	Pin Diameter	mm (Φ)	h
	Pin Length	mm	i
Bulb diameter	mm (Φ)	j	53
Cable length	mm	k	131
Crimping terminal	mm	l	22-10



Warranty Hours

DXL-30BAF/L

1700

Cross Reference

Lamp Type

Projector Model

DXL-30BAF/L

DP2K-15C
 DP2K-19B
 DP4K-19B
 DP2K-20C
 DP2K-23B
 DP4K-23B