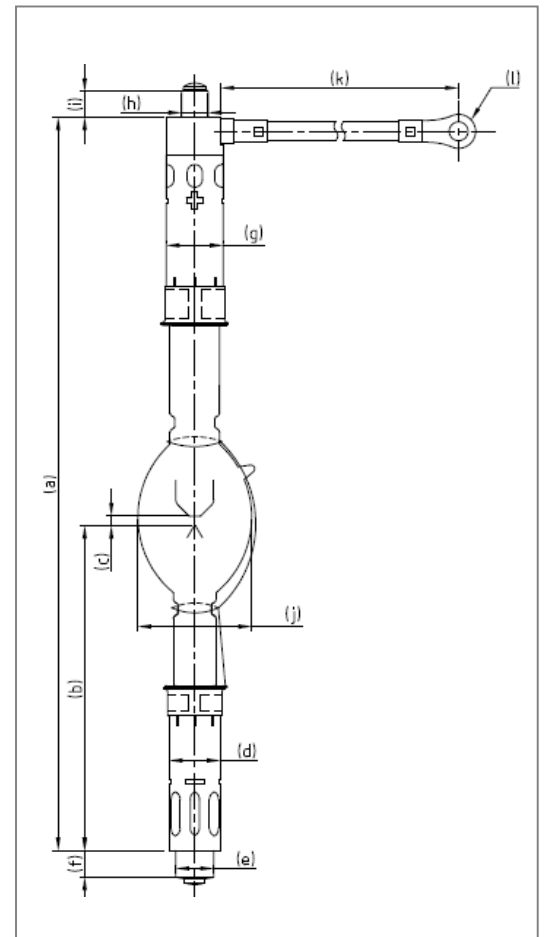


Xenon Lamps for NEC Digital Cinema Projector

# DXL-45SN

## Technical Data

Input Power	W	-	4500
Voltage	V	-	31.5
Current	A	-	145
Lamp Length	mm	a	387
LCL	mm	b	171.5
Cold Arc Gap	mm	c	6
Cathode	Base Diameter	mm (Φ)	d
	Pin Diameter	mm (Φ)	e
	Pin Length	mm	f
Anode	Base Diameter	mm (Φ)	g
	Pin Diameter	mm (Φ)	h
	Pin Length	mm	i
Bulb diameter	mm (Φ)	j	70
Cable length	mm	k	220
Crimping terminal	mm	l	22-10



## Warranty Hours

DXL-45SN

1000

## Cross Reference

Lamp Type

Projector Model

DXL-45SN

NC2500S(\*)  
NC3200S(\*)  
NC3240S(\*)

\*Combination of 7kw lamp power supply unit