

# LED Floodlight

## ULFL200

**USHIO**

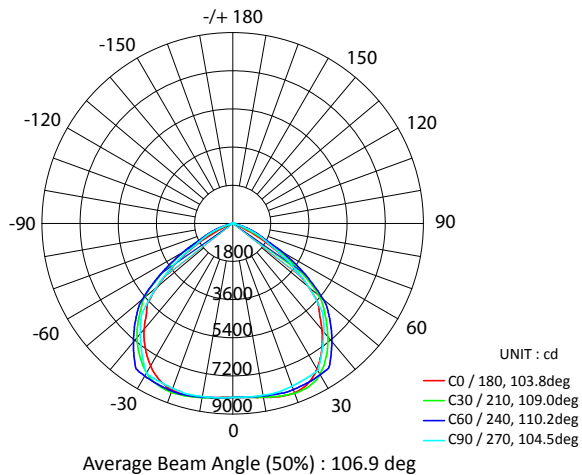
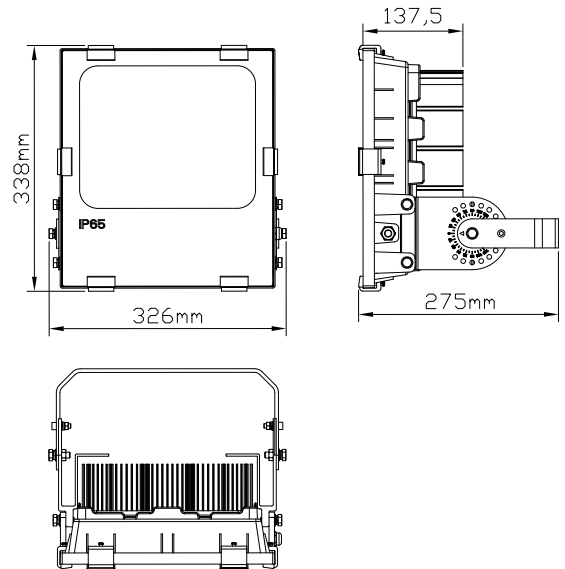
### Features

- Mounting Type : Bracket Mounted
- Material (Body) : Alum Housing with Glass Cover
- Lamp : Philips Lumileds SMD LED
- Color Rendering : Ra 80
- Voltage : 90V - 305V AC
- Dimmable : Optional

LED Type <b>SMT</b>	Equivalent <b>400W</b>
Lifespan <b>50,000 Hours</b>	IP rating <b>IP65</b>
LED Driver <b>Ext.</b>	PF <b>0.95</b>
Oper. Temp <b>-20C° ~ 50C°</b>	Weight <b>7.5kg</b>

System Power : 200W

▲ 120°	ULFL200/30/22K/C0	3000K	22000 lm
	ULFL200/40/22K/C0	4000K	22000 lm
	ULFL200/50/22K/C0	5000K	22000 lm



**USHIO**

■ USHIO ASIA PACIFIC PTE LTD  
28 Genting Lane #05-05 Platinum 28, Singapore 349585  
TEL +65 6274-5311 FAX +65 6274-5300  
URL www.ushioasiapacific.com

■ USHIO ASIA PACIFIC (Thailand) LTD  
Le Concorde Tower, Room 2006 (20F) 202 Rachadapisek Road, Huaykwang,  
Bangkok 10320 Thailand  
TEL +66 2 694-1440 FAX +66 2 694-1770  
URL www.ushioasiapacific.com