

LED High Bay Luminaire ULHB300



USHIO

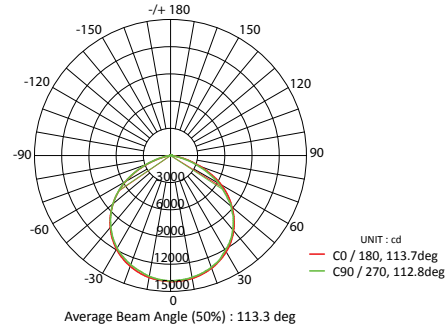
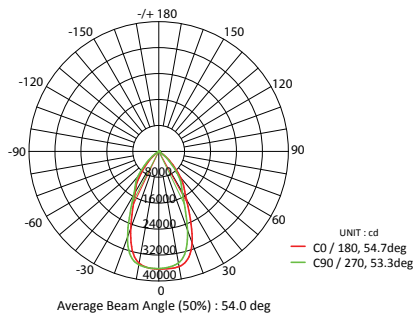
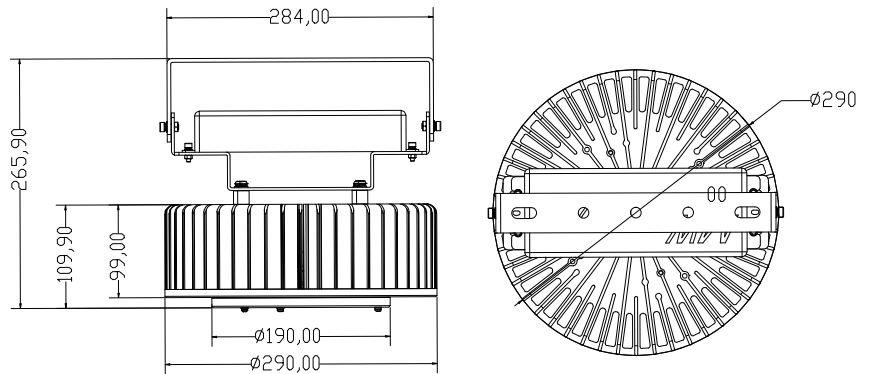
Features

- Mounting Type : Bracket Mounting
- Material (Body) : Cold forge Pure Alum Heatsink
- Lamp : Nichia SMT LED
- Color Rendering : Ra 80
- Voltage : 100V - 305V AC
- Dimmable : Yes (optional)

LED Type SMT	Equivalent 400W
Lifespan 40,000 Hours	IP rating IP65
LED Driver Built-in	PF 0.95
Oper. Temp -20C°~50C°	Lt Weight 7.5kg

System Power : 300W

 60°	ULHB300/30/38K/60	3000K	38000 lm
	ULHB300/40/38K/60	4000K	38000 lm
	ULHB300/50/38K/60	5000K	38000 lm
 120° w/o reflector	ULHB300/30/38K/C0	3000K	38000 lm
	ULHB300/40/38K/C0	4000K	38000 lm
	ULHB300/50/38K/C0	5000K	38000 lm



USHIO

■ USHIO ASIA PACIFIC PTE LTD
 28 Genting Lane #05-05 Platinum 28, Singapore 349585
 TEL +65 6274-5311 FAX +65 6274-5300
 URL www.ushioasiapacific.com

■ USHIO ASIA PACIFIC (Thailand) LTD
 Le Concorde Tower, Room 2006 (20F) 202 Rachadapisek Road, Huaykwang,
 Bangkok 10310 Thailand
 TEL +66 2 694-1440 FAX +66 2 694-1770
 URL www.ushioasiapacific.com